

# DATA SHEET

## **SAA4945H** Line MEmory noise Reduction IC (LIMERIC)

Preliminary specification  
File under Integrated Circuits, IC02

1997 Jun 10

# LIne MEmory noise Reduction IC (LIMERIC)

## SAA4945H

### FEATURES

- 2-D adaptive vertically recursive noise reduction
- Noise reduction for Y, U and V signals in 4 : 1 : 1 format
- Single 5 V  $\pm$ 10% power supply
- Communication by means of serial communication protocol 83C654 (SNERT bus)
- Via SNERT bus, 10 different types of noise reduction selectable; the noise reduction function can also be disabled
- Phase relation write enable input/output signal simultaneously switchable over one clock period w.r.t. input/output samples
- 8-bit wide data processing for Y, U and V; in unsigned format (Y signal) and in 2's complement (U and V signals)
- One fixed line locked clock operation frequency up to 16 MHz (typical)
- Exactly one line delay.

### GENERAL DESCRIPTION

The SAA4945H, LIMERIC (LIne MEmory noise Reduction IC) is a 2-D recursive noise reduction filter for both luminance and colour difference signals. The noise reduction is automatically adapted to the global noise level in the image. Ten different preferences of noise reduction can be set using a synchronous receiver transmitter bus; SNERT (Synchronous No parity Eight bit Receive Transmit) bus. Alternatively, the noise reduction can be switched off. The LIMERIC is generally placed directly after the ADC in the feature box and works fully in the 1f<sub>H</sub> (50/60 Hz) domain.

### QUICK REFERENCE DATA

SYMBOL	PARAMETER	CONDITIONS	MIN.	TYP.	MAX.	UNIT
V <sub>DD</sub>	supply voltage (pins 5, 29 and 30)		4.5	5.0	5.5	V
I <sub>DD</sub>	supply current		–	70	–	mA
P	power dissipation		–	350	–	mW
f <sub>CLK</sub>	clock frequency	$\pm$ 7%; note 1	10	16	17.1	MHz
f <sub>SNERT</sub>	bus clock frequency		–	–	1	MHz
T <sub>amb</sub>	operating ambient temperature		0	–	70	°C

### Note

1. Maximum number of clocks per line is 1024.

### ORDERING INFORMATION

TYPE NUMBER	PACKAGE		
	NAME	DESCRIPTION	VERSION
SAA4945H	QFP44	plastic quad flat package; 44 leads (lead length 1.3 mm); body 10 × 10 × 1.75 mm	SOT307-2

# Line Memory noise Reduction IC (LIMERIC)

SAA4945H

## BLOCK DIAGRAM

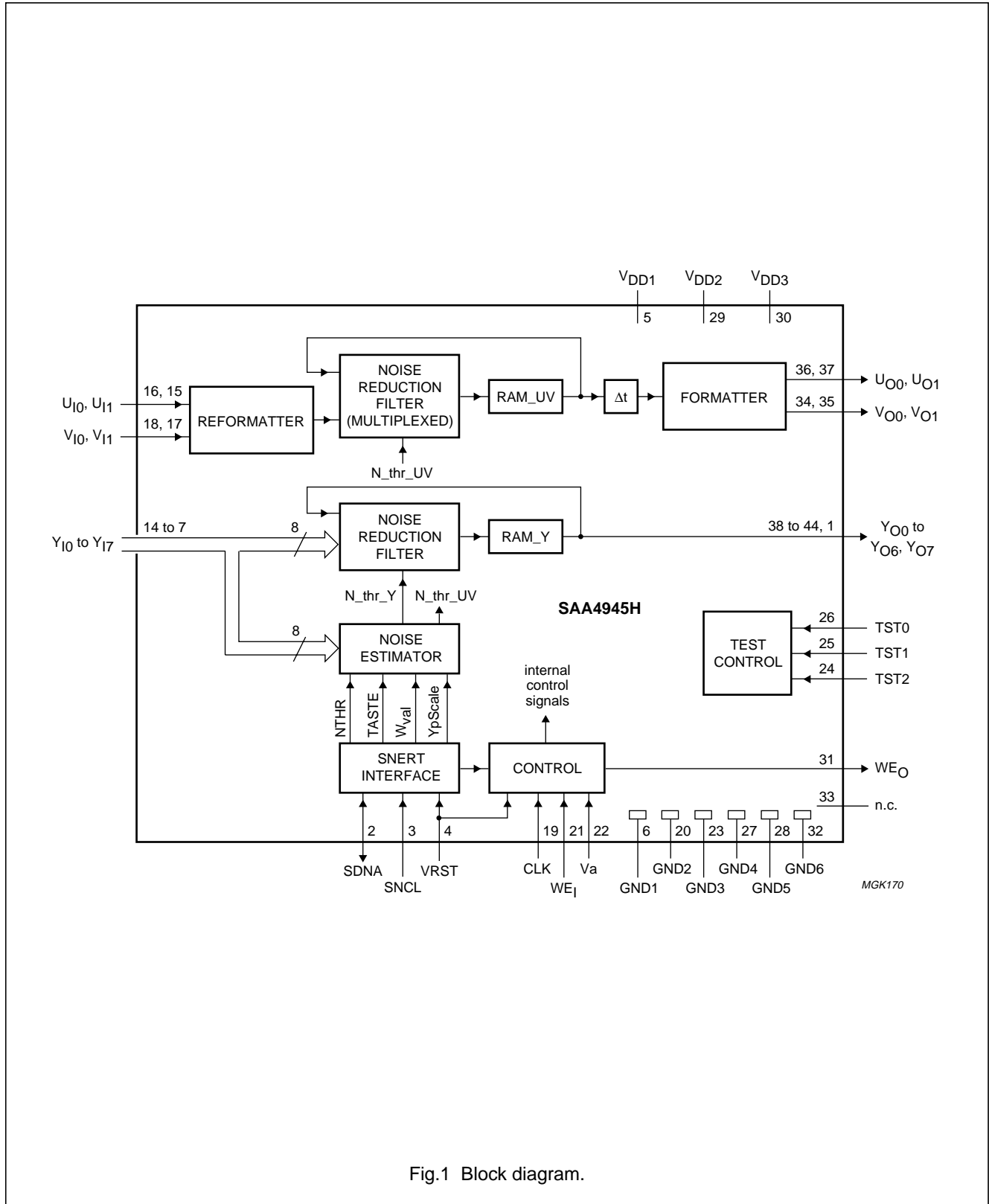


Fig.1 Block diagram.

# LIne MEmory noise Reduction IC (LIMERIC)

SAA4945H

**PINNING**

SYMBOL	PIN	TYPE	DESCRIPTION
Y <sub>O7</sub>	1	output	luminance output bit 7
SNDA	2	input/output	data from interface SNERT bus
SNCL	3	input	clock from interface SNERT bus
VRST	4	input	reset in the vertical blanking interval
V <sub>DD1</sub>	5	supply	supply voltage 1
GND1	6	ground	ground 1
Y <sub>I7</sub>	7	input	luminance input bit 7 from analog-to-digital converter
Y <sub>I6</sub>	8	input	luminance input bit 6 from analog-to-digital converter
Y <sub>I5</sub>	9	input	luminance input bit 5 from analog-to-digital converter
Y <sub>I4</sub>	10	input	luminance input bit 4 from analog-to-digital converter
Y <sub>I3</sub>	11	input	luminance input bit 3 from analog-to-digital converter
Y <sub>I2</sub>	12	input	luminance input bit 2 from analog-to-digital converter
Y <sub>I1</sub>	13	input	luminance input bit 1 from analog-to-digital converter
Y <sub>I0</sub>	14	input	luminance input bit 0 from analog-to-digital converter
U <sub>I1</sub>	15	input	U input bit 1 from analog-to-digital converter
U <sub>I0</sub>	16	input	U input bit 0 from analog-to-digital converter
V <sub>I1</sub>	17	input	V input bit 1 from analog-to-digital converter
V <sub>I0</sub>	18	input	V input bit 0 from analog-to-digital converter
CLK	19	input	master clock
GND2	20	ground	ground 2
WE <sub>I</sub>	21	input	write enable input
V <sub>a</sub>	22	input	vertical blanking pulse
GND3	23	ground	ground 3
TST2	24	input	test pin 2
TST1	25	input	test pin 1
TST0	26	input	test pin 0
GND4	27	ground	ground 4
GND5	28	ground	ground 5
V <sub>DD2</sub>	29	supply	supply voltage 2
V <sub>DD3</sub>	30	supply	supply voltage 3
WE <sub>O</sub>	31	output	write enable output
GND6	32	ground	ground 6
n.c.	33	–	not connected
V <sub>O0</sub>	34	output	V output bit 0
V <sub>O1</sub>	35	output	V output bit 1
U <sub>O0</sub>	36	output	U output bit 0
U <sub>O1</sub>	37	output	U output bit 1
Y <sub>O0</sub>	38	output	luminance output bit 0
Y <sub>O1</sub>	39	output	luminance output bit 1
Y <sub>O2</sub>	40	output	luminance output bit 2

**LIne MEmory noise Reduction IC  
(LIMERIC)**

**SAA4945H**

SYMBOL	PIN	TYPE	DESCRIPTION
Y <sub>O3</sub>	41	output	luminance output bit 3
Y <sub>O4</sub>	42	output	luminance output bit 4
Y <sub>O5</sub>	43	output	luminance output bit 5
Y <sub>O6</sub>	44	output	luminance output bit 6

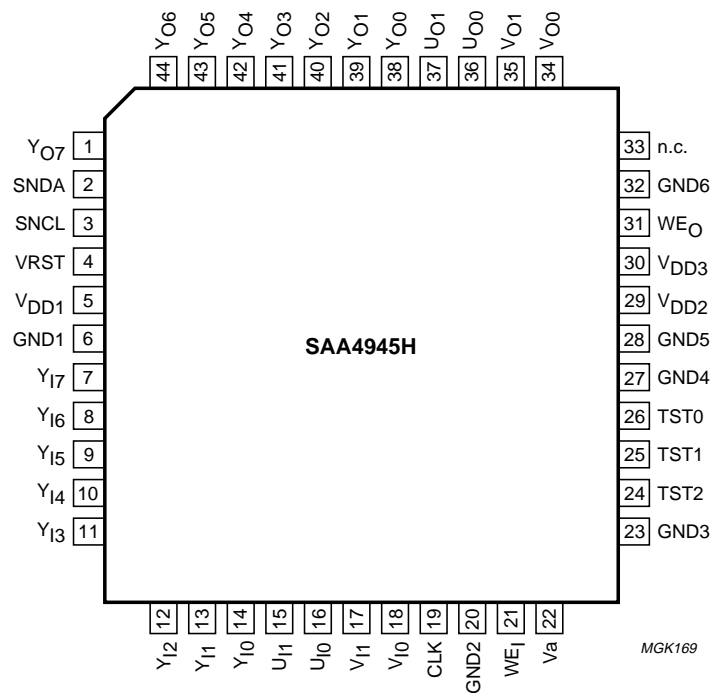


Fig.2 Pin configuration.

# LIne MEmory noise Reduction IC (LIMERIC)

SAA4945H

## FUNCTIONAL DESCRIPTION

The digital LIMERIC is an effective low noise reduction IC for luminance and colour difference signals. Noise filtering is automatically adapted to the global noise level which is measured within the picture content. The two dimensional non-linear noise reduction (one for luminance, one for chrominance) uses only line memory to function. Furthermore, up to 10 different preferences can be set by the user.

As shown in Fig.1, the main components of the device are the noise reduction filter with the line memories (RAM) and the noise estimator. Other components shown are the reformatter, formatter, controller and a SNERT bus transceiver.

### Noise reduction filter

Both luminance and chrominance signals are filtered with **vertical recursion**. This is produced as the filter receives both filtered samples from the previous line, and unfiltered samples from the current line. A new replacement value is calculated for each sample read from the **line memory**. This in turn, is the filtered response value for the reference input pixel. The reference pixel is then placed at the centre of the delay-line into which the current (unfiltered) video line is shifted. Tables 1 to 6 show this as an 'O'.

Both luminance and colour difference signals are filtered using the so-called **Discriminating Averaging Filter (DAF)**, in which filter coefficients are related to the **Absolute Difference (AD)** between samples. The filter uses samples from both present and previous line (using the line delay) and the result of the filter is stored back in the line memory. In this way a vertical recursive structure is realized.

The filter coefficients are set depending on the noise measured by the noise estimator or the NTHR (SNERT register F9).

### CHROMINANCE FILTER

The basic signal processing for either U or V is via the same filter. It is used to process both V and U using a multiplexed operation.

The taps structure of the chrominance filter is as shown in Table 1.

**Table 1** Chrominance processing

X X X X X	← 5 adjacent R – Y samples from the filtered line
o O o	← 3 adjacent R – Y samples from the incoming line

### LUMINANCE FILTER

The taps structure of the luminance filter is as shown in Table 2.

**Table 2** Luminance processing

X . . . . X . . . X . . . X . . . . X	← 5 Y samples from the filtered line (distance 4 / 5 pixel)
o . O . o	← 3 Y samples from the incoming line (distance 2 pixels)

A 'weave' function is used to reduce any smearing effect that could occur at edges. As shown in Tables 3 to 6, the 'weave' calculates over 4 consecutive lines. The relative position of the actual pixel changes one position every line.

**Table 3** For line 2n

X . . . . X . . . X . . . X . . . . X
o . O . o

**Table 4** For line 2n + 1

X . . . . X . . . X . . . X . . . . X
. . o . O . o

**Table 5** For line 2n + 2

X . . . . X . . . X . . . X . . . . X
o . O . o

**Table 6** For line 2n + 3

X . . . . X . . . X . . . X . . . . X
o . O . o . .

**Table 7** Weave configuration

Depending on even and odd fields the 'weave' has the following configuration:

ODD FIELDS	EVEN FIELDS
X	X
X	X
X	X
X	X
X	X
X	X
X	X

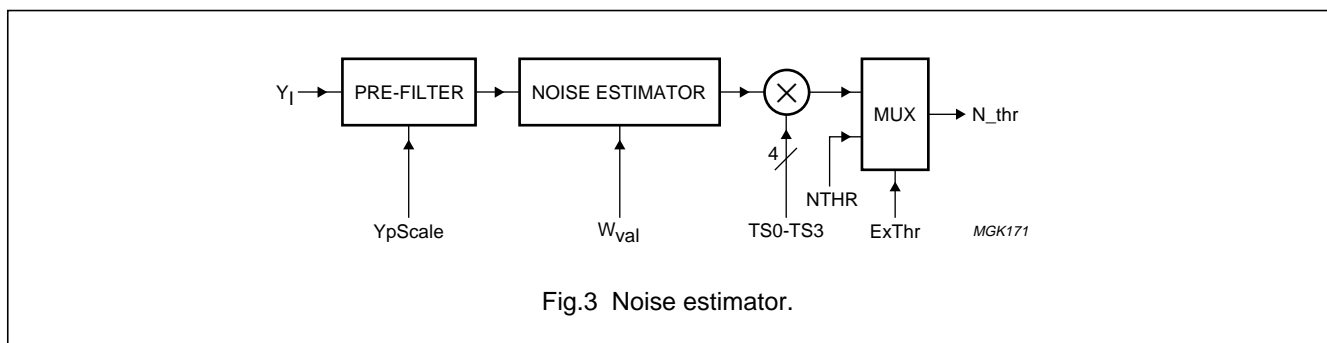
# Line Memory noise Reduction IC (LIMERIC)

SAA4945H

## Noise estimator

The threshold value  $N\_thr$  for the filters is calculated in the noise estimator block (see Fig.3). There are four options for producing the  $N\_thr$  value:

1. Pre-filter gain setting ( $YpScale$ )
2.  $W_{val}$  selects the sensitivity of the noise estimator
3. TASTE (TS) scales the  $N\_thr$  linear
4. NTHR is externally applied when the noise estimator is disabled by the control bit  $ExThr$  of the Status Register.



## SIGNAL DESCRIPTION

### Input signals

$Y_{17}$  TO  $Y_{10}$  (PINS 7 TO 14)

- Eight bit wide digital luminance input bus
- Unsigned data; dynamic range between 0 and 255
- The maximum number of input samples equals 852 active samples/line.

$U_{11}$  AND  $U_{10}$  (PINS 15 AND 16)

- Colour difference signal U
- Data in 2's complement; dynamic range between -128 and +127
- Y : U : V format 4 : 1 : 1; see Table 8 for input data coding
- The maximum number of input samples equals 213 samples/line
- Internal data processing of U signals in unsigned format.

$V_{11}$  AND  $V_{10}$  (PINS 17 AND 18)

- Colour difference signal V
- Data in 2's complement; dynamic range between -128 and +127
- Y : U : V format 4 : 1 : 1; see Table 8 for input data coding
- The maximum number of input samples equals 213 samples/line
- Internal data processing of V signals in unsigned format.

**LIne MEmory noise Reduction IC  
(LIMERIC)**

**SAA4945H**

**Table 8** Input/output data coding

INPUT	BIT	INPUT DATA SEQUENCE			
Y	Y7	Y <sub>0</sub> 7	Y <sub>1</sub> 7	Y <sub>2</sub> 7	Y <sub>3</sub> 7
	Y6	Y <sub>0</sub> 6	Y <sub>1</sub> 6	Y <sub>2</sub> 6	Y <sub>3</sub> 6
	Y5	Y <sub>0</sub> 5	Y <sub>1</sub> 5	Y <sub>2</sub> 5	Y <sub>3</sub> 5
	Y4	Y <sub>0</sub> 4	Y <sub>1</sub> 4	Y <sub>2</sub> 4	Y <sub>3</sub> 4
	Y3	Y <sub>0</sub> 3	Y <sub>1</sub> 3	Y <sub>2</sub> 3	Y <sub>3</sub> 3
	Y2	Y <sub>0</sub> 2	Y <sub>1</sub> 2	Y <sub>2</sub> 2	Y <sub>3</sub> 2
	Y1	Y <sub>0</sub> 1	Y <sub>1</sub> 1	Y <sub>2</sub> 1	Y <sub>3</sub> 1
	Y0	Y <sub>0</sub> 0	Y <sub>1</sub> 0	Y <sub>2</sub> 0	Y <sub>3</sub> 0
U	U11	U <sub>0</sub> 7	U <sub>0</sub> 5	U <sub>0</sub> 3	U <sub>0</sub> 1
	U10	U <sub>0</sub> 6	U <sub>0</sub> 4	U <sub>0</sub> 2	U <sub>0</sub> 0
V	V11	V <sub>0</sub> 7	V <sub>0</sub> 5	V <sub>0</sub> 3	V <sub>0</sub> 1
	V10	V <sub>0</sub> 6	V <sub>0</sub> 4	V <sub>0</sub> 2	V <sub>0</sub> 0

WE<sub>1</sub> (PIN 21)

- Write enable input
- Write enable indicates the time when active input samples (Y, U and V) are present
- Timing relation (see Fig.4) depending on the logic level of the **Write Enable Select** signal (WES) in status register; to adapt to different external video memories
- The number of input samples is a multiple of 4 (see Fig.4)
- Start of new line indicated by write enable signal LOW for at least 4 consecutive clock periods (see Fig.4)
- During active line, WE<sub>1</sub> is not allowed to be LOW for more than 1 clock cycle.



# LIne MEmory noise Reduction IC (LIMERIC)

SAA4945H

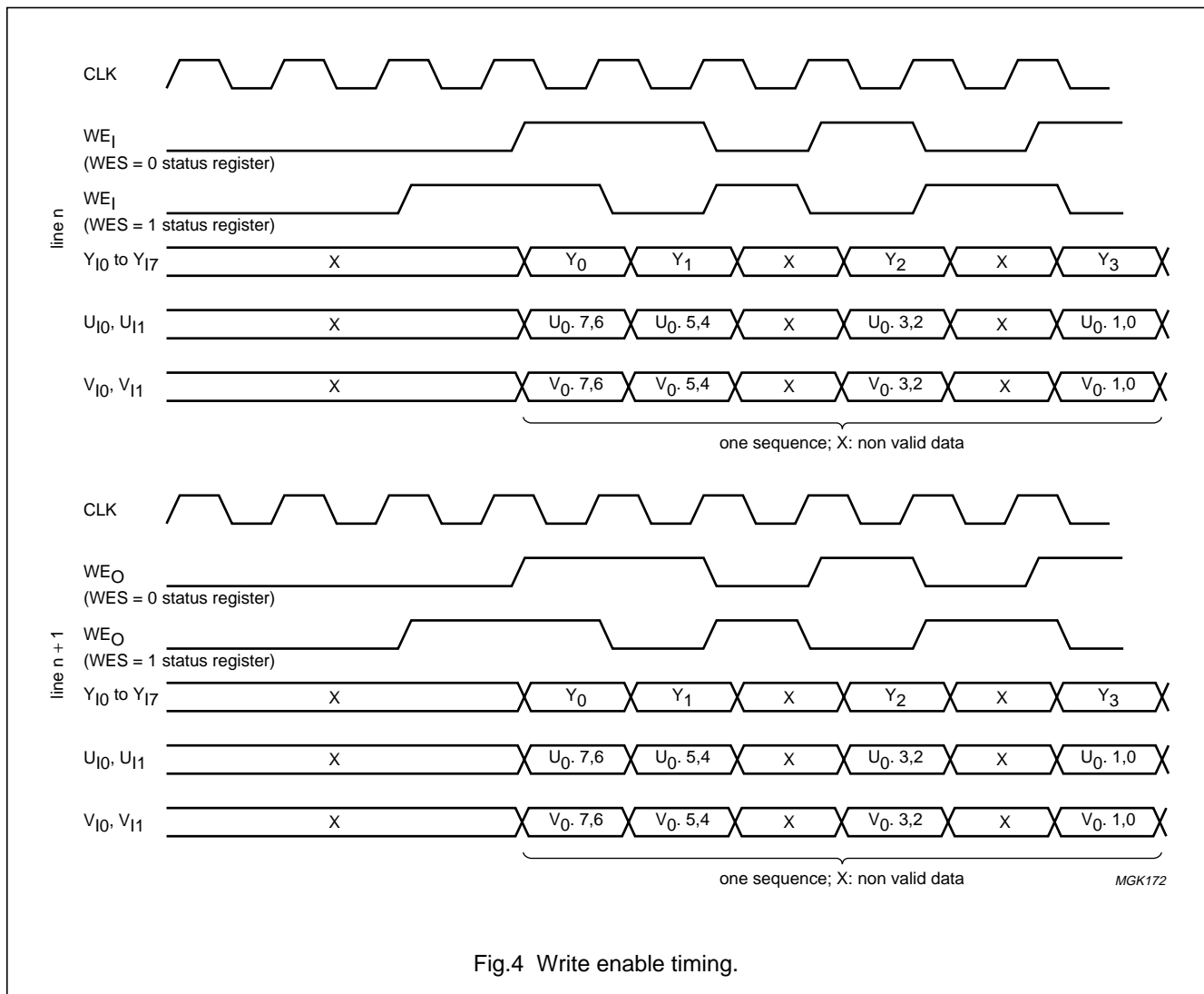


Fig.4 Write enable timing.

### Va (PIN 22)

- Vertical synchronization signal, active HIGH
- Minimum HIGH period equals one line period
- Vertical synchronization signals converted to system clock domain internally. So the Va pulse can be asynchronous.
- See timing diagram Fig.6 and Table 11 for timing specification.

### CLK (PIN 19)

- Line locked system clock, up to 16 MHz typical
- All clock related signals act on the rising edge of the system clock.

### TST0, TST1 AND TST2 (PINS 26, 25 AND 24)

- Test mode inputs
- Active HIGH, with internal pull-down resistors.

**LIne MEmory noise Reduction IC  
(LIMERIC)**

**SAA4945H**

**Table 9** Test settings

TST2	TST1	TST0	MODE
0	0	0	application mode
X <sup>(1)</sup>	1	X <sup>(1)</sup>	test mode
1	X <sup>(1)</sup>	X <sup>(1)</sup>	test mode
X <sup>(1)</sup>	X <sup>(1)</sup>	1	test mode

**Note**

- 1. X = don't care.

SNDA, SNCL AND VRST (PINS 2, 3 AND 4)

- Serial interface signals
- SNERT bus protocol (Synchronous No parity 8-bit receiver and Transmission bus)
- SNDA is a bidirectional signal with 8-bit wide data and address (LSB first)
- Serial interface signals converted (internally) to system clock domain. To avoid set-up violations these signals are clocked two times by the system clock before further processing is performed.
- Synchronization of serial address (every even byte) and data (every odd byte) by VRST.

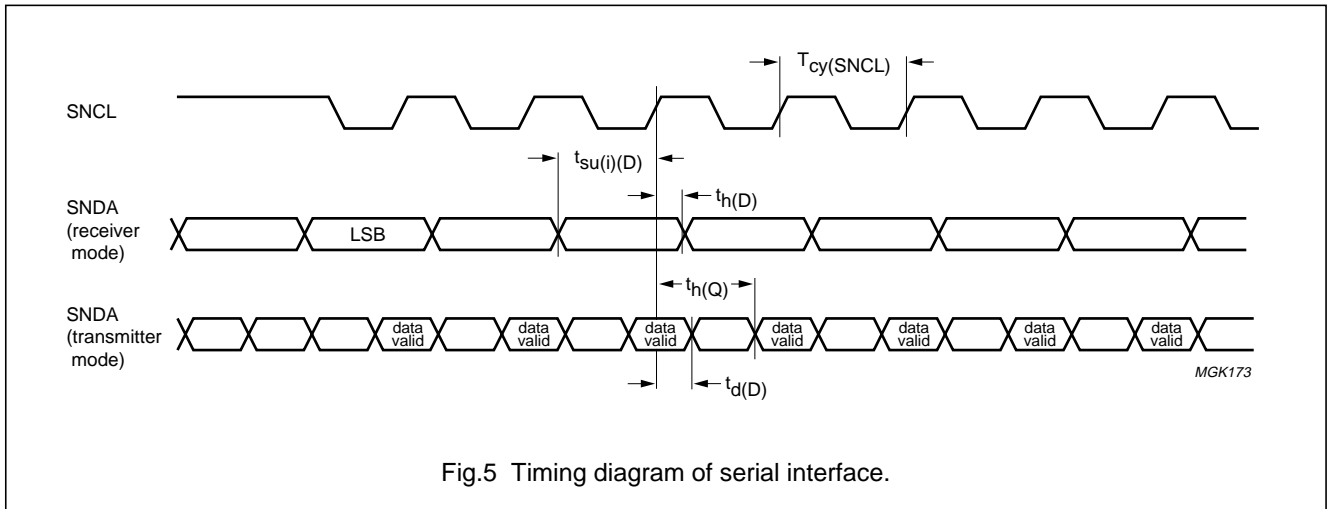


Fig.5 Timing diagram of serial interface.

**Table 10** Timing characteristics (see Fig.5)

SYMBOL	PARAMETER	MIN.	MAX.	UNIT
$t_{cy}(SNCL)$	SNCL cycle time	1	–	$\mu s$
$t_{su(i)(D)}$	input set-up time	90	–	ns
$t_h(D)$	input hold time	50	–	ns
$t_h(Q)$	output data hold time	0	–	ns
$t_d(D)$	output data delay time	–	700	ns

# LIne MEmory noise Reduction IC (LIMERIC)

SAA4945H

## Output signals

$Y_{00}$  TO  $Y_{07}$  (PINS 38 TO 44 AND 1)

- 8-bit wide digital luminance output bus
- Data format: unsigned, dynamic range between 0 and 255.

$U_{01}$  AND  $U_{00}$  (PINS 37 AND 36)

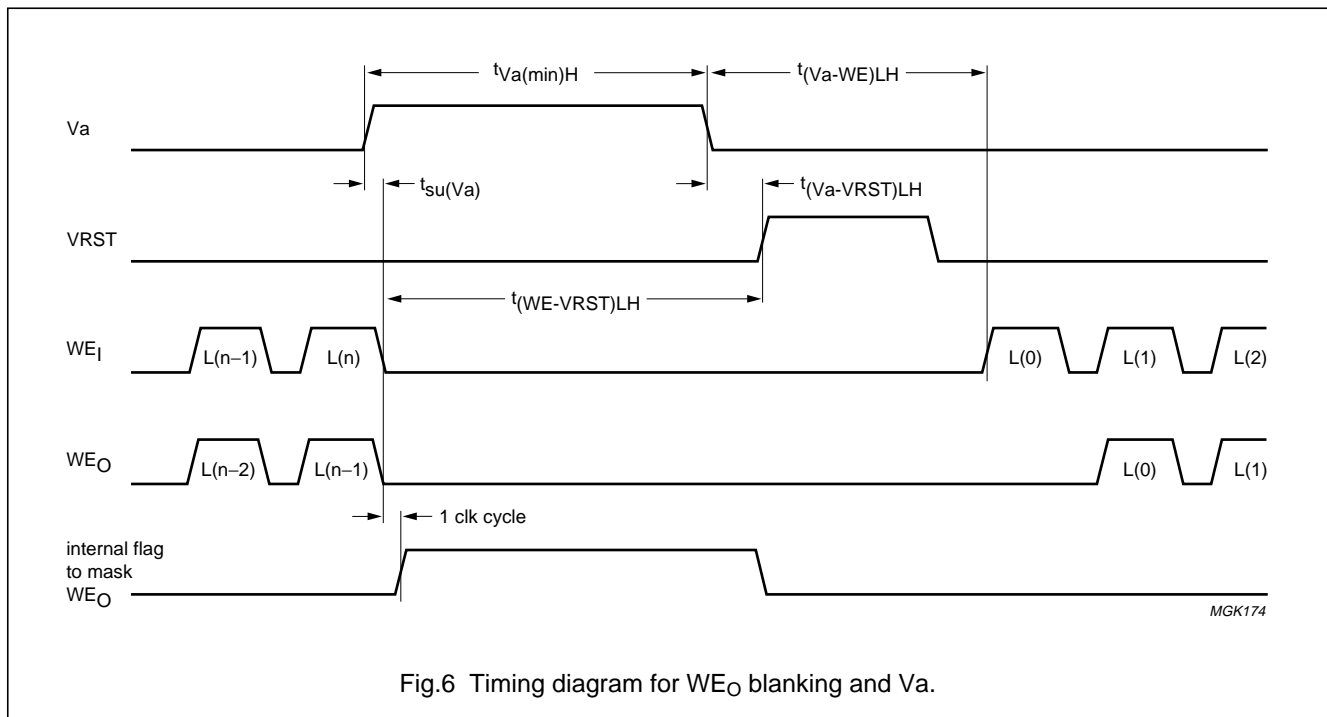
- Colour difference signal U
- Data format: 2's complement, dynamic range between -128 and +127
- Y : U : V format 4 : 1 : 1; see Table 8.

$V_{01}$  AND  $V_{00}$  (PINS 35 AND 34)

- Colour difference signal V
- Data format: 2's complement, dynamic range between -128 and +127
- Y : U : V format 4 : 1 : 1; see Table 8.

$WE_O$  (PIN 31)

- Write enable output
- Write enable indicates the time when active samples (Y, U and V) are present
- Timing relation (see Fig.6) depending on write enable select signal (WES) in status register; to adapt to different external video memories
- The number of output samples is a multiple of 4
- The write enable output sequence is a copy of the write enable input sequence of the previous line (see Fig.6) with a shift of one line
- The last line in field is not processed.



# Line Memory noise Reduction IC (LIMERIC)

SAA4945H

**Table 11** Va versus VRST

SYMBOL	PARAMETER	MIN.	UNIT
$t_{Va(min)H}$	minimum Va HIGH time	64	$\mu$ s
$t_{su(Va)}$	set-up Va to negative edge of WE <sub>1</sub>	0	$\mu$ s
$t_{(Va-WE)LH}$	Va LOW to WE <sub>1</sub> HIGH time	0	$\mu$ s
$t_{(Va-VRST)LH}$	Va LOW to VRST HIGH time	0	$\mu$ s
$t_{(WE-VRST)LH}$	WE <sub>1</sub> LOW to VRST HIGH time	64	$\mu$ s

**LIST OF SNERT BUS ADDRESSES USED IN LIMERIC****TASTE register****Table 12** TASTE register usage

USE	ACTION
Purpose	to set 4 different types of noise reduction
Address	F3
Read/write	write
Range	0 to 4; 0 = noise filtering disabled

**Table 13** TASTE register content

MSB				LSB				REMARK
0	0	0	0	ts3	ts2	ts1	ts0	see Table 14

**Table 14** TASTE setting

TS3	TS2	TS1	TS0	FUNCTION
0	0	0	0	noise filtering disabled
0	0	0	1	not applicable
0	0	1	0	noise reduction; TASTE 1
0	0	1	1	not applicable
0	1	0	0	noise reduction; TASTE 2
0	1	0	1	not applicable
0	1	1	0	noise reduction; TASTE 3
0	1	1	1	not applicable
1	0	0	0	noise reduction; TASTE 4
1	0	0	1	not applicable
1	0	1	0	not applicable
1	0	1	1	not defined
1	1	0	0	not defined
1	1	0	1	not defined
1	1	1	0	not defined
1	1	1	1	not defined

# Line Memory noise Reduction IC (LIMERIC)

SAA4945H

## Status register

**Table 15** Status register usage

USE	ACTION
Purpose	internal settings
Address	F4
Read/write	write

**Table 16** Status register content

MSB						LSB	
Tctrl3	Tctrl2	Tctrl1	X	ExThr	Wv	DEM	WES

**Table 17** Status register description

BIT	NAME	DESCRIPTION
0	WES	Write Enable Select 0: data coincides with write enable (both input and output) 1: data is delayed over one clock period with respect to the write enable (both input and output) see Fig.4
1	DEM	Demo Mode 0: demo mode disabled 1: demo mode on; the noise reduction circuit is switched on for the left half of the screen - the noise reduction is disabled (split screen function) for the right half of the screen
2	Wv	Weave 0: enable weave 1: disable weave
3	ExThr	External Threshold control bit 0: N_thr calculated by noise estimator 1: value of N_thr from register F9 is used
4	X	don't care
5	Tctrl1	Test control 1 0: normal operation 1: test mode
6	Tctrl2	Test control 2 0: normal operation 1: test mode
5	Tctrl3	Test control 3 0: normal operation 1: test mode

# Line Memory noise Reduction IC (LIMERIC)

SAA4945H

## W<sub>val</sub> register (wanted value)

**Table 18** W<sub>val</sub> register usage

USE	ACTION
Purpose	register for setting up noise estimator
Address	F5
Read/write	write
Range	0 to 255

**Table 19** W<sub>val</sub> register

MSB							LSB	CONDITIONS
W <sub>val</sub> 7	W <sub>val</sub> 6	W <sub>val</sub> 5	W <sub>val</sub> 4	W <sub>val</sub> 3	W <sub>val</sub> 2	W <sub>val</sub> 1	W <sub>val</sub> 0	Tctrl2 = 0

## Noise threshold register

**Table 20** Noise threshold register usage

USE	ACTION
Purpose	register for setting the NTHR value for the noise filter externally
Address	F9
Read/write	write
Range	0 to 255

**Table 21** Noise threshold register content

MSB							LSB
NTHR[7]	NTHR[6]	NTHR[5]	NTHR[4]	NTHR[3]	NTHR[2]	NTHR[1]	NTHR[0]

## Noise estimator setting register

**Table 22** Noise estimator setting register usage

USE	ACTION
Purpose	register for general setting of the noise estimator
Address	FA
Read/write	write

**Table 23** Noise estimator setting register

MSB							LSB
YpScale1	YpScale0	0	0	0	0	0	0

**Table 24** Noise estimator setting description

YpScale1	YpScale0	DESCRIPTION
0	0	noise estimator pre-filter gain setting = 1
0	1	noise estimator pre-filter gain setting = 0.5
1	0	noise estimator pre-filter gain setting = 0.25
1	1	noise estimator pre-filter bypassed

# Line MEmory noise Reduction IC (LIMERIC)

SAA4945H

## LIMITING VALUES

In accordance with the Absolute Maximum Rating System (IEC 134).

SYMBOL	PARAMETER	MIN.	MAX.	UNIT
$V_{DD1}$	supply voltage 1	-0.5	+6.5	V
$V_{DD2}$	supply voltage 2	-0.5	+6.5	V
$V_I$	input voltage	-0.5	+6.5	V
$T_{stg}$	storage temperature	-55	+150	°C
$T_{amb}$	operating ambient temperature	-40	+85	°C
$P_{tot}$	total power dissipation	-	150	mW
$P_{O(pin)}$	output power dissipation per output pin	-	100	mW

## THERMAL CHARACTERISTICS

SYMBOL	PARAMETER	CONDITIONS	VALUE	UNIT
$R_{th(j-a)}$	thermal resistance from junction to ambient	in free air	65	K/W

# Line MEmory noise Reduction IC (LIMERIC)

SAA4945H

**CHARACTERISTICS** $V_{DD} = 5\text{ V}$ ;  $T_{amb} = 25\text{ °C}$ ; unless otherwise specified.

SYMBOL	PARAMETER	CONDITIONS	MIN.	TYP.	MAX.	UNIT
<b>Supply</b>						
$V_{DD}$	supply voltage (pins 5, 29 and 30)		4.5	5.0	5.5	V
$I_{DD}$	supply current		–	70	–	mA
$T_{amb}$	operating ambient temperature		0	–	70	°C
$T_{stg}$	storage temperature		–50	–	+150	°C
$P$	power dissipation		–	350	–	mW
<b>CLK</b>						
$f_{CLK}$	clock frequency	$\pm 7\%$ ; note 1	10	16	17.1	MHz
$\delta$	duty cycle		40	–	60	%
$V_{IL}$	LOW-level input voltage		–	–	0.8	V
$V_{IH}$	HIGH-level input voltage		2	–	–	V
$C_L$	load capacitance		10	–	–	pF
<b><math>Y_{17}</math> to <math>Y_{10}</math>, <math>U_{11}</math>, <math>U_{12}</math>, <math>V_{11}</math>, <math>V_{10}</math>, <math>WE_1</math> and <math>V_a</math></b>						
$V_{IL}$	LOW-level input voltage		–	–	0.8	V
$V_{IH}$	HIGH-level input voltage		2.0	–	–	V
$I_I$	input current	$V_I = 0$ to $5\text{ V}$	–	–	$\pm 20$	$\mu\text{A}$
$t_{su(i)(D)}$	set-up time		6	–	–	ns
$t_{h(D)}$	hold time		7	–	–	ns
<b><math>Y_{07}</math> to <math>Y_{00}</math>, <math>U_{01}</math>, <math>U_{02}</math>, <math>V_{01}</math>, <math>V_{00}</math> and <math>WE_0</math></b>						
$V_{OL}$	LOW-level output voltage	$I_{OL} = 1.6\text{ mA}$	–	–	0.4	V
$V_{OH}$	HIGH-level output voltage	$I_{OH} = 0.4\text{ mA}$	2.4	–	–	V
$t_{h(Q)}$	output hold	$C_L = 15\text{ pF}$	7	–	–	ns
$t_{d(D)}$	output delay	$C_L = 15\text{ pF}$	–	–	32	ns
<b>SNDA and SNCL</b>						
$f_{SNERT}$	bus clock frequency		–	–	1	MHz
$V_{IL}$	LOW-level input voltage		–	–	0.8	V
$V_{IH}$	HIGH-level input voltage		2.0	–	–	V
$V_{OL}$	LOW-level output voltage		–	–	0.4	V
$V_{OH}$	HIGH-level output voltage		2.4	–	–	V
<b>TST0, TST1 and TST2</b>						
$V_{IL}$	LOW-level input voltage		–	–	0.8	V
$V_{IH}$	HIGH-level input voltage		2.0	–	–	V

**Note**

1. Maximum number of clocks per line is 1024.



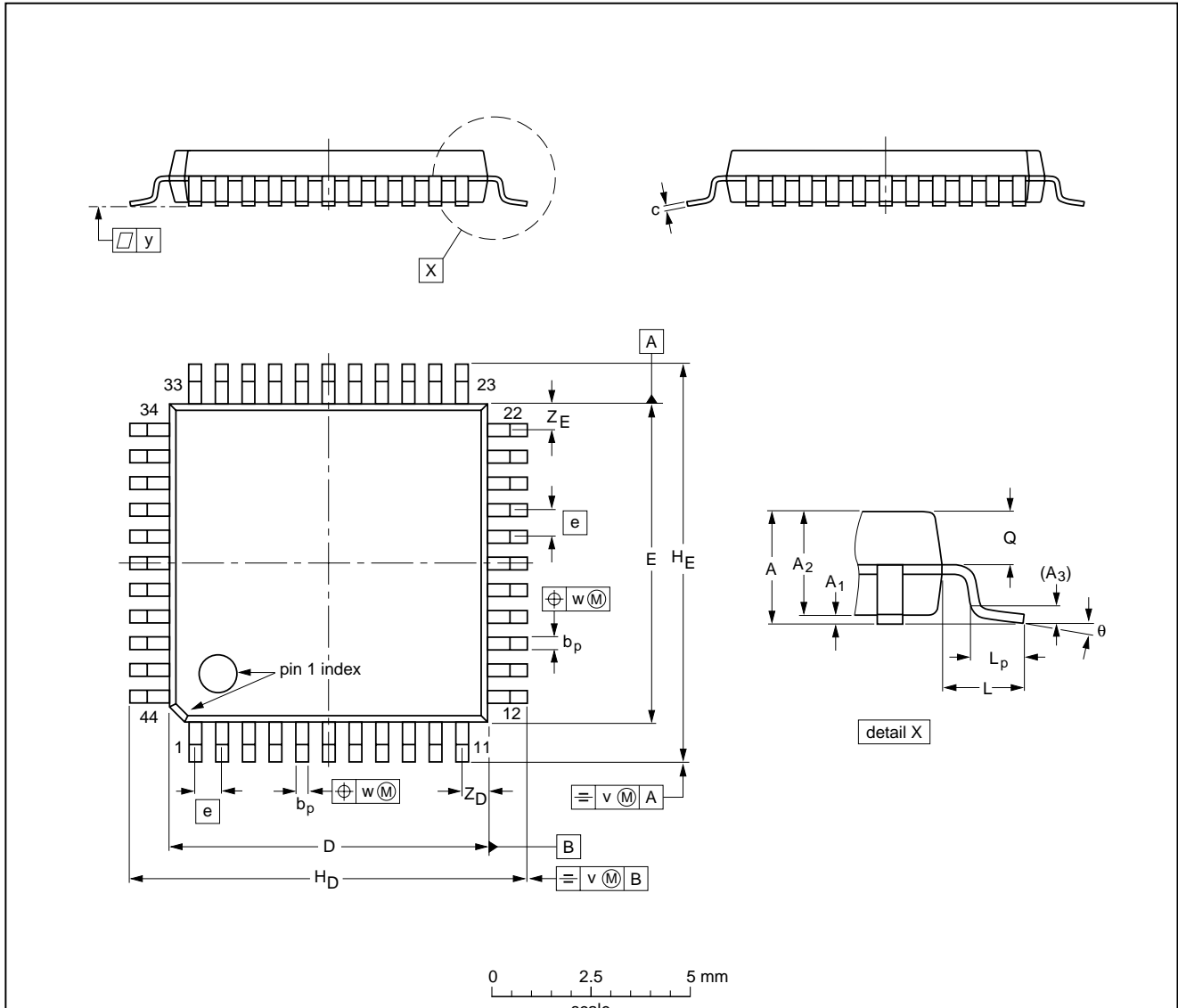
# Line Memory noise Reduction IC (LIMERIC)

SAA4945H

## PACKAGE OUTLINE

QFP44: plastic quad flat package; 44 leads (lead length 1.3 mm); body 10 x 10 x 1.75 mm

SOT307-2



**DIMENSIONS (mm are the original dimensions)**

UNIT	A max.	A <sub>1</sub>	A <sub>2</sub>	A <sub>3</sub>	b <sub>p</sub>	c	D <sup>(1)</sup>	E <sup>(1)</sup>	e	H <sub>D</sub>	H <sub>E</sub>	L	L <sub>p</sub>	Q	v	w	y	Z <sub>D</sub> <sup>(1)</sup>	Z <sub>E</sub> <sup>(1)</sup>	θ
mm	2.10	0.25 0.05	1.85 1.65	0.25	0.40 0.20	0.25 0.14	10.1 9.9	10.1 9.9	0.8	12.9 12.3	12.9 12.3	1.3	0.95 0.55	0.85 0.75	0.15	0.15	0.1	1.2 0.8	1.2 0.8	10° 0°

**Note**

1. Plastic or metal protrusions of 0.25 mm maximum per side are not included.

OUTLINE VERSION	REFERENCES				EUROPEAN PROJECTION	ISSUE DATE
	IEC	JEDEC	EIAJ			
SOT307-2						92-11-17 95-02-04

## Line Memory noise Reduction IC (LIMERIC)

SAA4945H

### SOLDERING

#### Introduction

There is no soldering method that is ideal for all IC packages. Wave soldering is often preferred when through-hole and surface mounted components are mixed on one printed-circuit board. However, wave soldering is not always suitable for surface mounted ICs, or for printed-circuits with high population densities. In these situations reflow soldering is often used.

This text gives a very brief insight to a complex technology. A more in-depth account of soldering ICs can be found in our "IC Package Databook" (order code 9398 652 90011).

#### Reflow soldering

Reflow soldering techniques are suitable for all QFP packages.

The choice of heating method may be influenced by larger plastic QFP packages (44 leads, or more). If infrared or vapour phase heating is used and the large packages are not absolutely dry (less than 0.1% moisture content by weight), vaporization of the small amount of moisture in them can cause cracking of the plastic body. For more information, refer to the Drypack chapter in our "Quality Reference Handbook" (order code 9398 510 63011).

Reflow soldering requires solder paste (a suspension of fine solder particles, flux and binding agent) to be applied to the printed-circuit board by screen printing, stencilling or pressure-syringe dispensing before package placement.

Several techniques exist for reflowing; for example, thermal conduction by heated belt. Dwell times vary between 50 and 300 seconds depending on heating method. Typical reflow temperatures range from 215 to 250 °C.

Preheating is necessary to dry the paste and evaporate the binding agent. Preheating duration: 45 minutes at 45 °C.

#### Wave soldering

Wave soldering is **not** recommended for QFP packages. This is because of the likelihood of solder bridging due to closely-spaced leads and the possibility of incomplete solder penetration in multi-lead devices.

**If wave soldering cannot be avoided, the following conditions must be observed:**

- **A double-wave (a turbulent wave with high upward pressure followed by a smooth laminar wave) soldering technique should be used.**
- **The footprint must be at an angle of 45° to the board direction and must incorporate solder thieves downstream and at the side corners.**

**Even with these conditions, do not consider wave soldering the following packages: QFP52 (SOT379-1), QFP100 (SOT317-1), QFP100 (SOT317-2), QFP100 (SOT382-1) or QFP160 (SOT322-1).**

During placement and before soldering, the package must be fixed with a droplet of adhesive. The adhesive can be applied by screen printing, pin transfer or syringe dispensing. The package can be soldered after the adhesive is cured.

Maximum permissible solder temperature is 260 °C, and maximum duration of package immersion in solder is 10 seconds, if cooled to less than 150 °C within 6 seconds. Typical dwell time is 4 seconds at 250 °C.

A mildly-activated flux will eliminate the need for removal of corrosive residues in most applications.

#### Repairing soldered joints

Fix the component by first soldering two diagonally-opposite end leads. Use only a low voltage soldering iron (less than 24 V) applied to the flat part of the lead. Contact time must be limited to 10 seconds at up to 300 °C. When using a dedicated tool, all other leads can be soldered in one operation within 2 to 5 seconds between 270 and 320 °C.

# Line MEmory noise Reduction IC (LIMERIC)

SAA4945H

## DEFINITIONS

<b>Data sheet status</b>	
Objective specification	This data sheet contains target or goal specifications for product development.
Preliminary specification	This data sheet contains preliminary data; supplementary data may be published later.
Product specification	This data sheet contains final product specifications.
<b>Limiting values</b>	
Limiting values given are in accordance with the Absolute Maximum Rating System (IEC 134). Stress above one or more of the limiting values may cause permanent damage to the device. These are stress ratings only and operation of the device at these or at any other conditions above those given in the Characteristics sections of the specification is not implied. Exposure to limiting values for extended periods may affect device reliability.	
<b>Application information</b>	
Where application information is given, it is advisory and does not form part of the specification.	

## LIFE SUPPORT APPLICATIONS

These products are not designed for use in life support appliances, devices, or systems where malfunction of these products can reasonably be expected to result in personal injury. Philips customers using or selling these products for use in such applications do so at their own risk and agree to fully indemnify Philips for any damages resulting from such improper use or sale.

# Philips Semiconductors – a worldwide company

**Argentina:** see South America

**Australia:** 34 Waterloo Road, NORTH RYDE, NSW 2113,  
Tel. +61 2 9805 4455, Fax. +61 2 9805 4466

**Austria:** Computerstr. 6, A-1101 WIEN, P.O. Box 213,  
Tel. +43 1 60 101, Fax. +43 1 60 101 1210

**Belarus:** Hotel Minsk Business Center, Bld. 3, r. 1211, Volodarski Str. 6,  
220050 MINSK, Tel. +375 172 200 733, Fax. +375 172 200 773

**Belgium:** see The Netherlands

**Brazil:** see South America

**Bulgaria:** Philips Bulgaria Ltd., Energoproject, 15th floor,  
51 James Bourchier Blvd., 1407 SOFIA,  
Tel. +359 2 689 211, Fax. +359 2 689 102

**Canada:** PHILIPS SEMICONDUCTORS/COMPONENTS,  
Tel. +1 800 234 7381

**China/Hong Kong:** 501 Hong Kong Industrial Technology Centre,  
72 Tat Chee Avenue, Kowloon Tong, HONG KONG,  
Tel. +852 2319 7888, Fax. +852 2319 7700

**Colombia:** see South America

**Czech Republic:** see Austria

**Denmark:** Prags Boulevard 80, PB 1919, DK-2300 COPENHAGEN S,  
Tel. +45 32 88 2636, Fax. +45 31 57 0044

**Finland:** Sinikalliontie 3, FIN-02630 ESPOO,  
Tel. +358 9 615800, Fax. +358 9 61580920

**France:** 4 Rue du Port-aux-Vins, BP317, 92156 SURESNES Cedex,  
Tel. +33 1 40 99 6161, Fax. +33 1 40 99 6427

**Germany:** Hammerbrookstraße 69, D-20097 HAMBURG,  
Tel. +49 40 23 53 60, Fax. +49 40 23 536 300

**Greece:** No. 15, 25th March Street, GR 17778 TAVROS/ATHENS,  
Tel. +30 1 4894 339/239, Fax. +30 1 4814 240

**Hungary:** see Austria

**India:** Philips INDIA Ltd, Shivsagar Estate, A Block, Dr. Annie Besant Rd.  
Worli, MUMBAI 400 018, Tel. +91 22 4938 541, Fax. +91 22 4938 722

**Indonesia:** see Singapore

**Ireland:** Newstead, Clonskeagh, DUBLIN 14,  
Tel. +353 1 7640 000, Fax. +353 1 7640 200

**Israel:** RAPAC Electronics, 7 Kehilat Saloniki St, PO Box 18053,  
TEL AVIV 61180, Tel. +972 3 645 0444, Fax. +972 3 649 1007

**Italy:** PHILIPS SEMICONDUCTORS, Piazza IV Novembre 3,  
20124 MILANO, Tel. +39 2 6752 2531, Fax. +39 2 6752 2557

**Japan:** Philips Bldg 13-37, Kohnan 2-chome, Minato-ku, TOKYO 108,  
Tel. +81 3 3740 5130, Fax. +81 3 3740 5077

**Korea:** Philips House, 260-199 Itaewon-dong, Yongsan-ku, SEOUL,  
Tel. +82 2 709 1412, Fax. +82 2 709 1415

**Malaysia:** No. 76 Jalan Universiti, 46200 PETALING JAYA, SELANGOR,  
Tel. +60 3 750 5214, Fax. +60 3 757 4880

**Mexico:** 5900 Gateway East, Suite 200, EL PASO, TEXAS 79905,  
Tel. +9-5 800 234 7381

**Middle East:** see Italy

**Netherlands:** Postbus 90050, 5600 PB EINDHOVEN, Bldg. VB,  
Tel. +31 40 27 82785, Fax. +31 40 27 88399

**New Zealand:** 2 Wagener Place, C.P.O. Box 1041, AUCKLAND,  
Tel. +64 9 849 4160, Fax. +64 9 849 7811

**Norway:** Box 1, Manglerud 0612, OSLO,  
Tel. +47 22 74 8000, Fax. +47 22 74 8341

**Philippines:** Philips Semiconductors Philippines Inc.,  
106 Valero St. Salcedo Village, P.O. Box 2108 MCC, MAKATI,  
Metro MANILA, Tel. +63 2 816 6380, Fax. +63 2 817 3474

**Poland:** Ul. Lukiska 10, PL 04-123 WARSZAWA,  
Tel. +48 22 612 2831, Fax. +48 22 612 2327

**Portugal:** see Spain

**Romania:** see Italy

**Russia:** Philips Russia, Ul. Usatcheva 35A, 119048 MOSCOW,  
Tel. +7 095 755 6918, Fax. +7 095 755 6919

**Singapore:** Lorong 1, Toa Payoh, SINGAPORE 1231,  
Tel. +65 350 2538, Fax. +65 251 6500

**Slovakia:** see Austria

**Slovenia:** see Italy

**South Africa:** S.A. PHILIPS Pty Ltd., 195-215 Main Road Martindale,  
2092 JOHANNESBURG, P.O. Box 7430 Johannesburg 2000,  
Tel. +27 11 470 5911, Fax. +27 11 470 5494

**South America:** Rua do Rocio 220, 5th floor, Suite 51,  
04552-903 São Paulo, SÃO PAULO - SP, Brazil,  
Tel. +55 11 821 2333, Fax. +55 11 829 1849

**Spain:** Balmes 22, 08007 BARCELONA,  
Tel. +34 3 301 6312, Fax. +34 3 301 4107

**Sweden:** Kottbygatan 7, Akalla, S-16485 STOCKHOLM,  
Tel. +46 8 632 2000, Fax. +46 8 632 2745

**Switzerland:** Allmendstrasse 140, CH-8027 ZÜRICH,  
Tel. +41 1 488 2686, Fax. +41 1 481 7730

**Taiwan:** Philips Semiconductors, 6F, No. 96, Chien Kuo N. Rd., Sec. 1,  
TAIPEI, Taiwan Tel. +886 2 2134 2865, Fax. +886 2 2134 2874

**Thailand:** PHILIPS ELECTRONICS (THAILAND) Ltd.,  
209/2 Sanpavuth-Bangna Road Prakanong, BANGKOK 10260,  
Tel. +66 2 745 4090, Fax. +66 2 398 0793

**Turkey:** Talatpasa Cad. No. 5, 80640 GÜLTEPE/ISTANBUL,  
Tel. +90 212 279 2770, Fax. +90 212 282 6707

**Ukraine:** PHILIPS UKRAINE, 4 Patrice Lumumba str., Building B, Floor 7,  
252042 KIEV, Tel. +380 44 264 2776, Fax. +380 44 268 0461

**United Kingdom:** Philips Semiconductors Ltd., 276 Bath Road, Hayes,  
MIDDLESEX UB3 5BX, Tel. +44 181 730 5000, Fax. +44 181 754 8421

**United States:** 811 East Arques Avenue, SUNNYVALE, CA 94088-3409,  
Tel. +1 800 234 7381

**Uruguay:** see South America

**Vietnam:** see Singapore

**Yugoslavia:** PHILIPS, Trg N. Pasica 5/v, 11000 BEOGRAD,  
Tel. +381 11 625 344, Fax. +381 11 635 777

**For all other countries apply to:** Philips Semiconductors, Marketing & Sales Communications,  
Building BE-p, P.O. Box 218, 5600 MD EINDHOVEN, The Netherlands, Fax. +31 40 27 24825

**Internet:** <http://www.semiconductors.philips.com>

© Philips Electronics N.V. 1997

SCA54

All rights are reserved. Reproduction in whole or in part is prohibited without the prior written consent of the copyright owner.

The information presented in this document does not form part of any quotation or contract, is believed to be accurate and reliable and may be changed without notice. No liability will be accepted by the publisher for any consequence of its use. Publication thereof does not convey nor imply any license under patent- or other industrial or intellectual property rights.

Printed in The Netherlands

547047/20/01/pp20

Date of release: 1997 Jun 10

Document order number: 9397 750 01608

*Let's make things better.*

**Philips**  
Semiconductors



**PHILIPS**